



Centrifugal fan with closed fan wheel that is used at source extraction from air pollutant or chip making work processes. The transported air may not contain adhesive or sticky fumes or dust.

**Work area:**

Max. pressure: 9,000Pa

Max. air volume: 7,800m³/h

Max. dust volume: 5g/m³, non-sticky

Max. particle size: 5x5x5mm, non-sticky

Temperature: Extracted air (transport air in fan) = max. 60°C

Ambient temperature: max. 40°C

Fan order no.	Achieved efficiency	Measurement category	Efficiency category	Efficiency grade	VSD	Production year	Manufacturer page	Model number/ type	Rated motor power input, flow rate and vacuum at optimal efficiency			Rpm.	Specific ratio	Disposal page	Environment page	Mounting measurement page
									kW	m³/h	Pa (Ps)					
03 365 700	57,0	D	Total	■	NO	CE-mark	0.B4	HV 65-C2	4,50	1233	7343	2903	1,08	0.B4	0.B4	0.B4
03 366 100	57,1	D	Total	■	NO	CE-mark	0.B4	HV 70-C2	7,56	2088	7100	2941	1,08	0.B4	0.B4	0.B4
03 367 700	56,7	D	Total	■	NO	CE-mark	0.B4	HV 72-C2	12,00	2749	8730	2937	1,09	0.B4	0.B4	0.B4
03 368 500	59,7	D	Total	■	NO	CE-mark	0.B4	HV 78-C2	14,57	3420	8970	2944	1,09	0.B4	0.B4	0.B4
03 368 700	59,8	D	Total	■	NO	CE-mark	0.B4	HV 80-C2	16,55	3950	8845	2966	1,09	0.B4	0.B4	0.B4

■ No approved according to EU327/2011 ERP 2015

May be mounted on clean air side of Gram filter units as transport fan according to EU 327/2011 and EN 13349/2010

**Construction:**

Radial fan with closed fan wheel mounted in fully welded steel cabinet and with directly coupled motor.

**Model:** C (Transport of dust)

**Wheel:** Fan wheel type P-G, closed wheel with backward curved, self-cleaning blades  
Static/dynamically balanced according to ISO 14694 (BV3 G 6.3)

**Housing:** Welded in 3 or 4mm steel plate

Fan housing can be mounted with various inlet positions (RD0, RD45, RD90, RD135, RD270 and RD 315)

Standard enamelling:

Powder enamelled for indoor mounting (RAL 5007), for outdoor placement galvanizing is also recommended

**Motor:** IE3, B3 flange motor (at motor sizes from 11.0kW and higher the motor is with bimetallic sensor)  
3x400V 50Hz (three-phased motors can be frequency regulated)

**Fan type HV-C is also available galvanized and spark-protected (copper ring in inlet)**

**For ATEX fans - see group 10**

**Constructed and tested according to:**

- Machine Directive 2006/42/EU
- Electromagnetic Compatibility (EMC) Directive 2004/108/EU
- Low Voltage (LVD) Directive 2014/35/EU
- Harmonized standards: EN 12100, EN 60204-1, EN ISO 13857, ISO 12499
- Further standards: ISO 3746, ISO 5801
- As well as: EU Regulation no. 327/2011 (ERP 2013 and 2015)



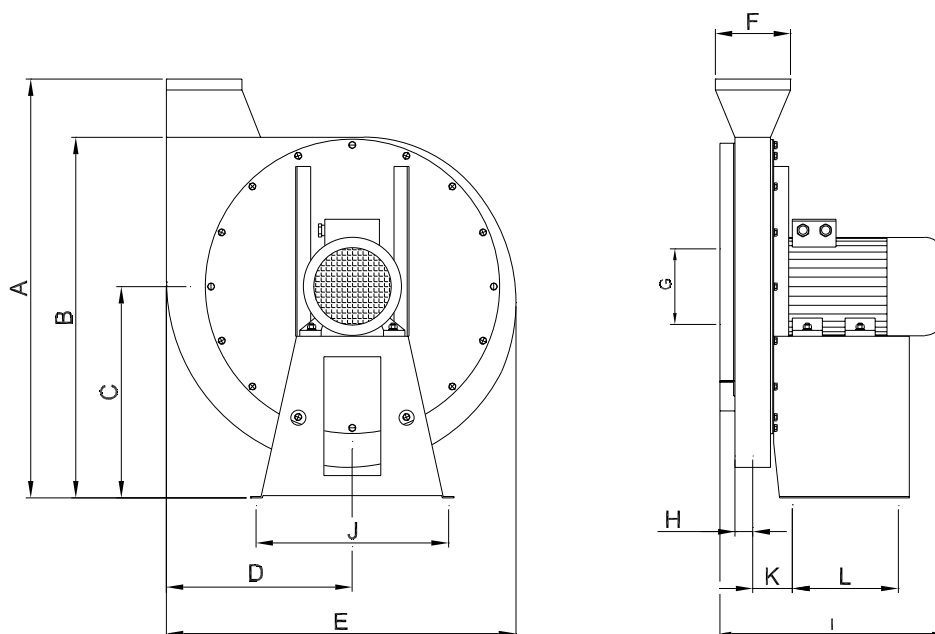
Type	Order no.	Volt [V]	[rpm.]	[kW]	Rated current (Amp)	Start current [ $I_L/I_N$ ]	Weight [kg]
HV 65-C2*	03 365 700	3x400	2-pole	5.50	■	■	164,0
HV 70-C2*	03 366 100	3x400	2-pole	7.50	■	■	177,0
HV 72-C2*	03 367 700	3x400	2-pole	11.00**	■	■	240,0
HV 78-C2*	03 368 500	3x400	2-pole	15.00	■	■	280,0
HV 80-C2*	03 368 700	3x400	2-pole	22.00	■	■	344,0

\* Heavy-starting

\*\* Increased efficiency

■ See section "General information" conc. electro motors

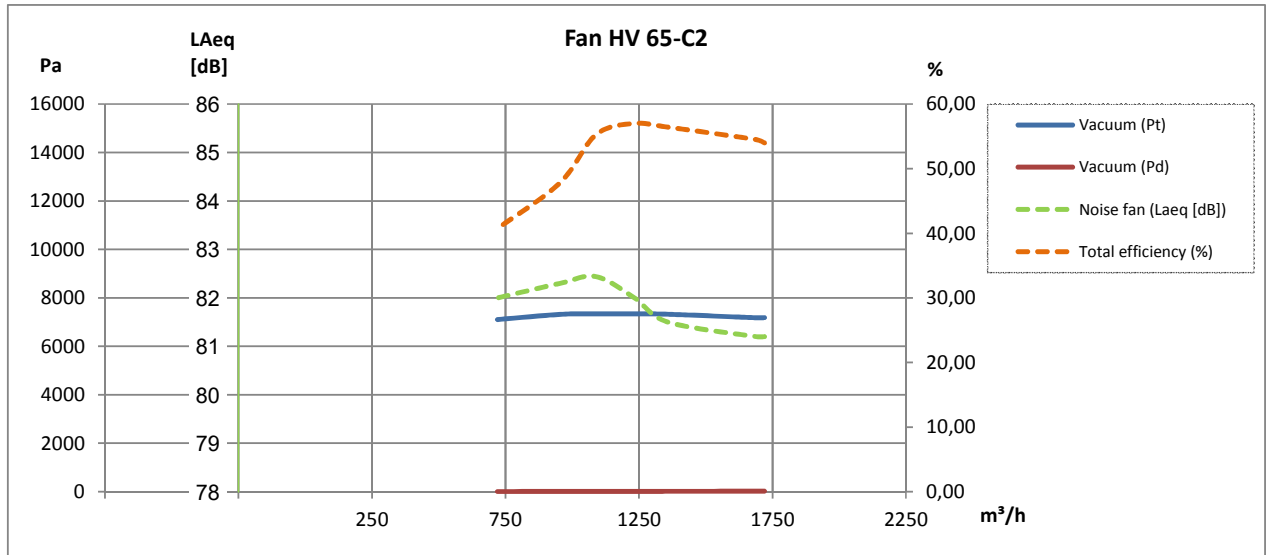
Motor data  $\geq 0,75kW$ , 3x400V, according to IE3-motors.



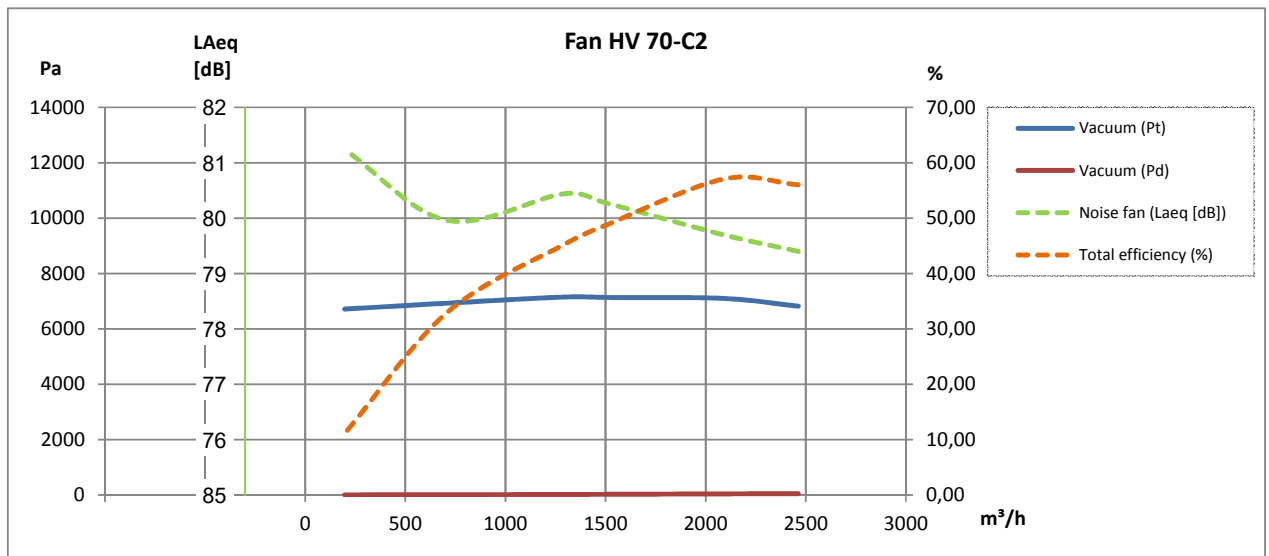
Type	Order no.	A	B	C	D	E	F	G	H	I	J	K	L
HV 65-C2	03 365 700	1099	939	560	492	894	∅200	∅200	58	584	510	115	280
HV 70-C2	03 366 100	1099	939	560	492	894	∅200	∅200	75	622	510	132	280
HV 72-C2	03 367 700	1264	1104	677	572	1025	∅250	∅250	71	703	558	218	330
HV 78-C2	03 368 500	1292	1132	705	594	1047	∅315	∅315	83	774	558	230	330
HV 80-C2	03 368 700	1292	1132	705	594	1047	∅315	∅315	83	854	588	230	330

Please, note: Connection measurements are nipple measurements

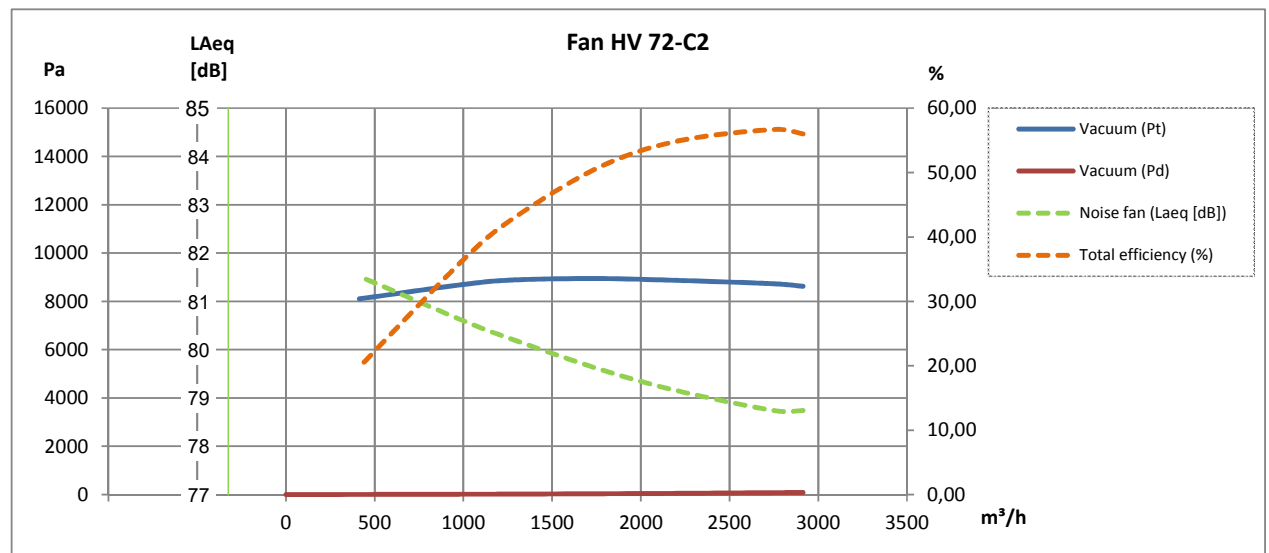
2-pole:



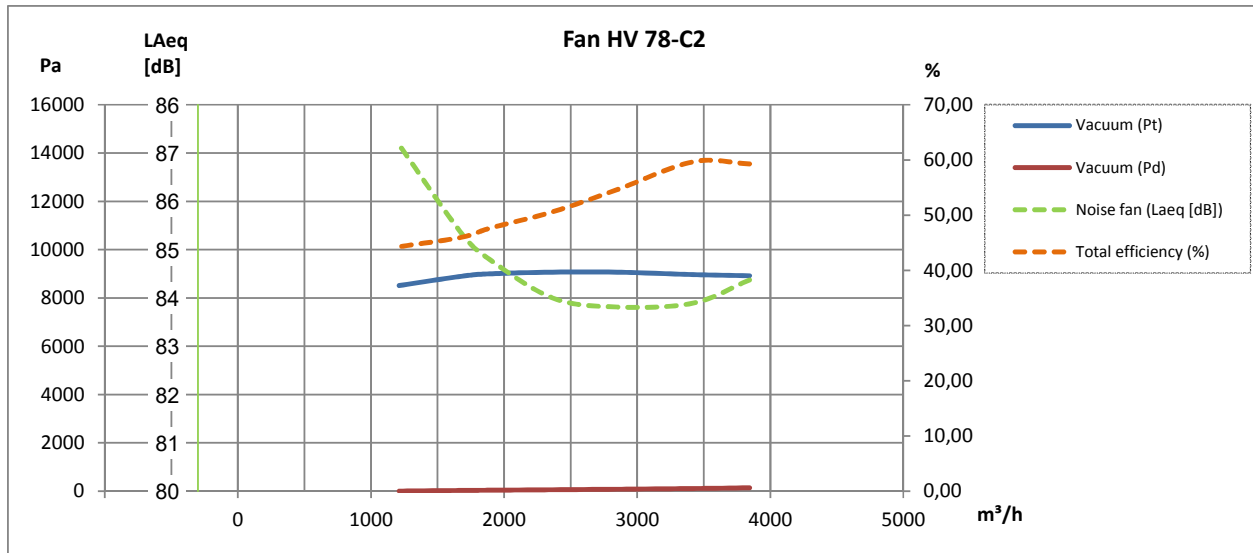
2-pole:



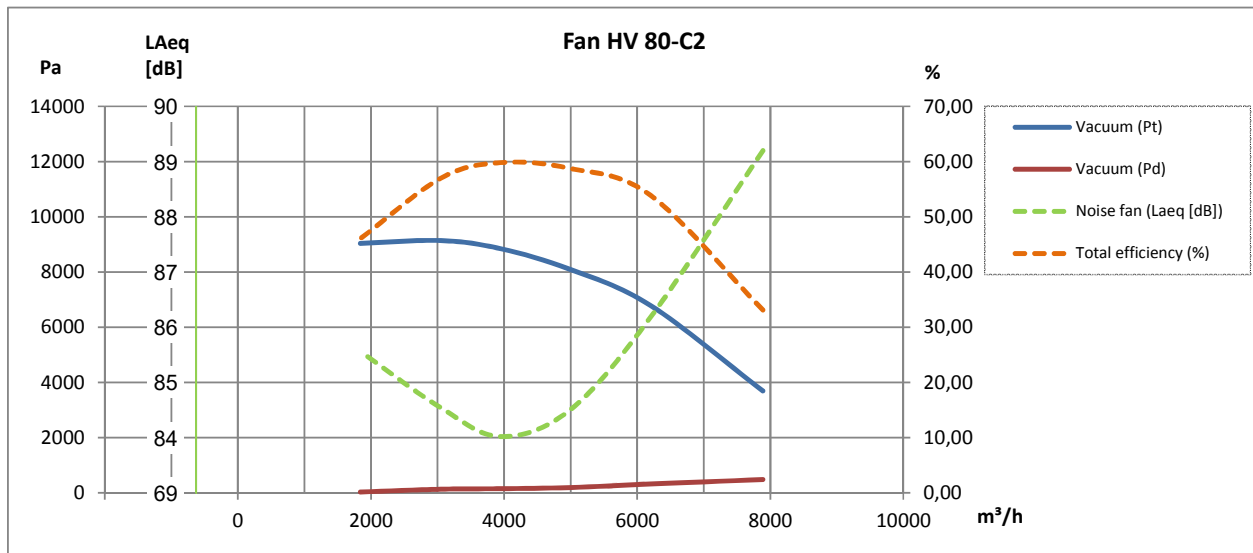
2-pole:



2-pole:



2-pole:



Data is subject to alterations  
Rev. 05.23

All versions of fan type HV-C is also available i a galvanized version spark protection in copper (Cu) on inlet!

#### Sound enclosure type VB\*:

Type (Position RD0)	Order no.
HV 65	03 360 400
HV 70	03 362 400
HV 72	03 643 400
HV 78, HV 80	03 369 400
Additional payment for sound enclosure type VB with side outlet, fan position RD90	03 550 000

\* Only for clean air transport



#### Fan wheel:

Type	Hub [mm]	Fan type**	[Hz]	Order no.
HV 65	ø38	C2	50	03 550 105
HV 70	ø38	C2	50	03 550 155
HV 72	ø38	C2	50	03 550 205
HV 78	ø42	C2	50	03 550 255
HV 80	ø48	C2	50	03 550 305

\*\*Closed Transport (CT)



#### Further is available:

- Pressure guard
- Mounting fittings
- Vibrations absorbers
- Safety grid
- FLEX flexible connections
- Motor starter Y-D
- Frequency converter

Photo:  
Danfoss Frequency converter type VLT