



Centrifugal fan with closed fan wheel that is used at source extraction from air pollutant or chip making work processes. The transported air may not contain adhesive or sticky fumes or dust.

Work area:

Max. pressure: 2,150Pa

Max. air volume: 5,200m³/h

Max. dust volume: 5g/m³, non-sticky

Max. particle size: 5x5x5mm, non-sticky

Temperature: Extracted air (transport air in fan) = max. 60°C

Ambient temperature: max. 40°C

Fan order no.	Achieved efficiency	Measurement category	Efficiency category	Efficiency grade	VSD	Production year	Manufacturer page	Model number/type	Rated motor power input, flow rate and vacuum at optimal efficiency			Rpm.	Specific ratio	Disposal page	Environment page	Mounting measurement page
									kW	m ³ /h	Pa (Ps)					
03 225 000	50,8	D	Total	■	NO	CE-mark	0.B4	VF 1500-C2	1,09	1916	1020	2903	1,01	0.B4	0.B4	0.B4
03 232 000	54,9	D	Total	■	NO	CE-mark	0.B4	VF 2000-C2	2,01	3046	1280	2866	1,01	0.B4	0.B4	0.B4
03 230 000	60,5	D	Total	■	NO	CE-mark	0.B4	VF 2500-C2	2,42	3199	1615	2881	1,02	0.B4	0.B4	0.B4

■ No approved according to EU327/2011 ERP 2015
 May be mounted on clean air side of Gram filter units as transport fan according to EU 327/2011 and EN 13349/2010

Construction:

Radial fan with closed fan wheel mounted in welded steel cabinet and with directly coupled motor.

Model: C (Transport of dust)

Wheel: Fan wheel type P-G, closed wheel with backward straight, self-cleaning blades
 Static/dynamically balanced according to ISO 14694 (BV3 G 6.3)

Housing: Welded in 2mm steel plate

Fan housing can be mounted with various inlet positions (RD0, RD90, RD180, RD270)

Standard enamelling:

Powder enamelled for indoor mounting (RAL 5007), for outdoor placement galvanizing is also recommended

Motor: IE3, B5 flange motor without bimetallic sensor

3x400V 50Hz (three-phased motors can be frequency regulated)

Fan type VF-C is also available galvanized and spark-protected (copper ring in inlet)

For ATEX fans - see group 10

Constructed and tested according to:

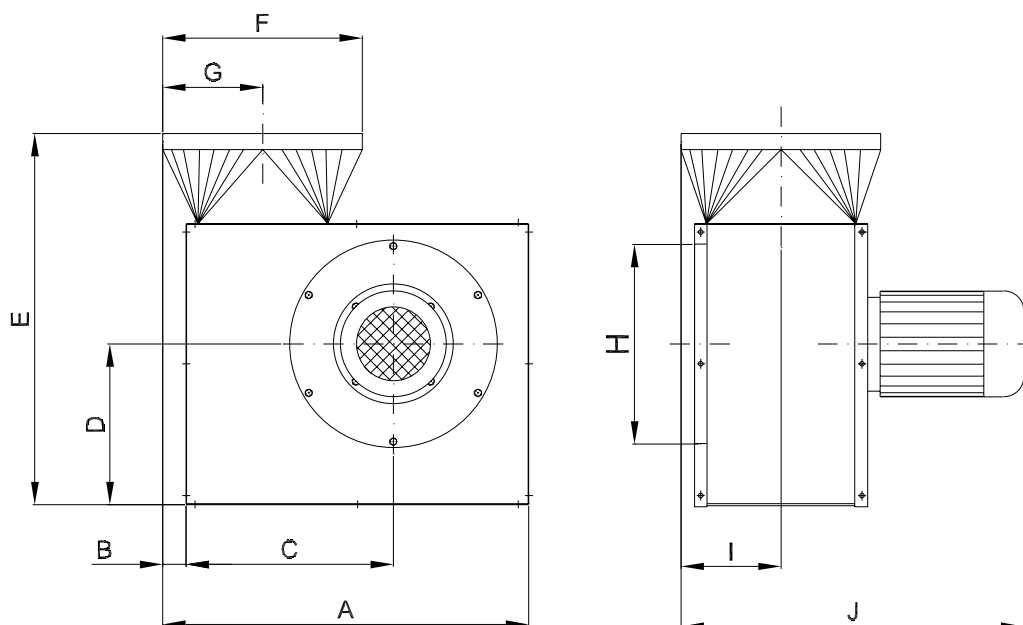
- Machine Directive 2006/42/EU
- Electromagnetic Compatibility (EMC) Directive 2004/108/EU
- Low Voltage (LVD) Directive 2014/35/EU
- Harmonized standards: EN 12100, EN 60204-1, EN ISO 13857, ISO 12499
- Further standards: ISO 3746, ISO 5801
- As well as: EU Regulation no. 327/2011 (ERP 2013 and 2015)



Type	Order no.	Volt [V]	[rpm.]	[kW]	Rated current (Amp)	Start current [I_L/I_N]	Weight [kg]
VF 1500-C2	03 225 000	3x400	2-pole	1.10	■	■	38,0
VF 2000-C2	03 232 000	3x400	2-pole	1.50	■	■	40,0
VF 2500-C2	03 230 000	3x400	2-pole	2.20	■	■	50,0

■ See section "General information" conc. electro motors

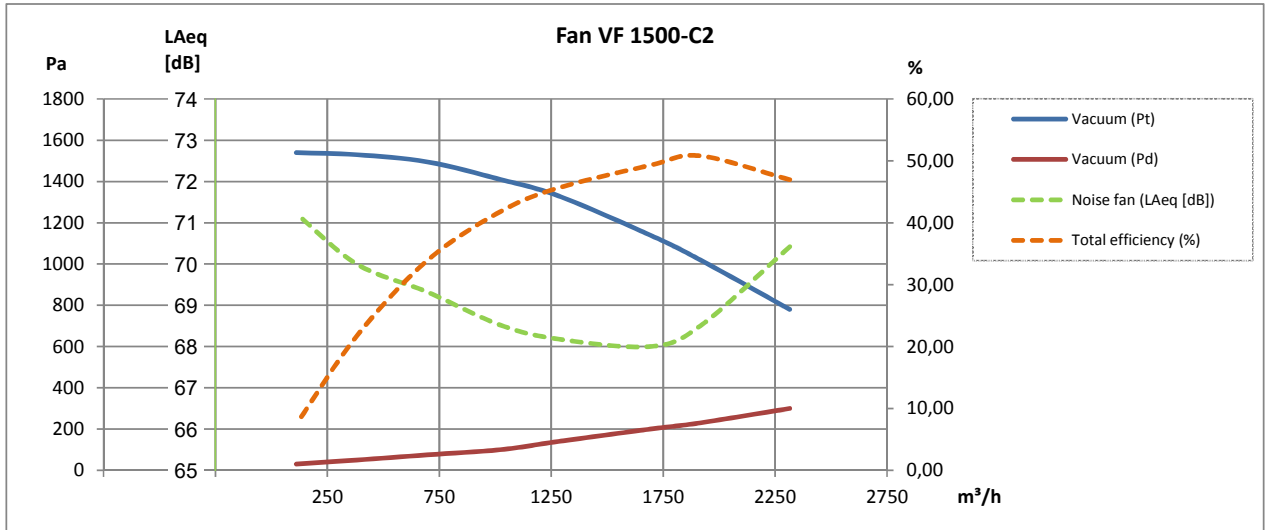
Motor data $\geq 0,75$ kW, 3x400V, according to IE3-motors.



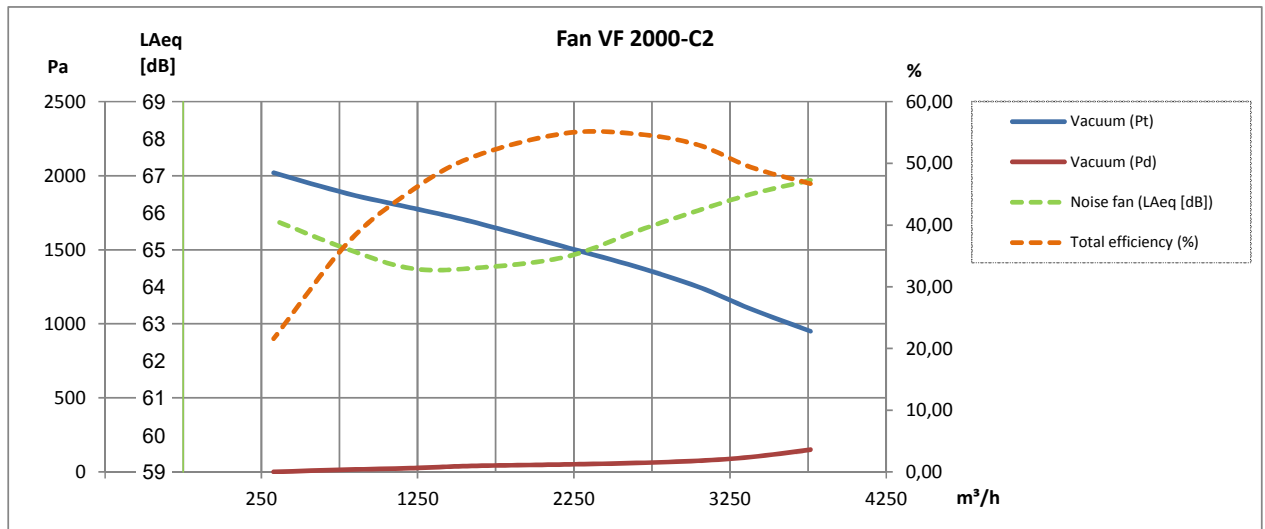
Type	Order no.	A	B	C	D	E	F	G	H	I	J
VF 1500-C2	03 225 000	614	0	374	288	626	ø250	143	ø250	132	475
VF 2000-C2	03 232 000	686	0	417	324	688	ø250	150	ø250	144	545
VF 2500-C2	03 230 000	686	0	417	324	688	ø250	150	ø250	144	545

Please, note: Connection measurements are nipple measurements

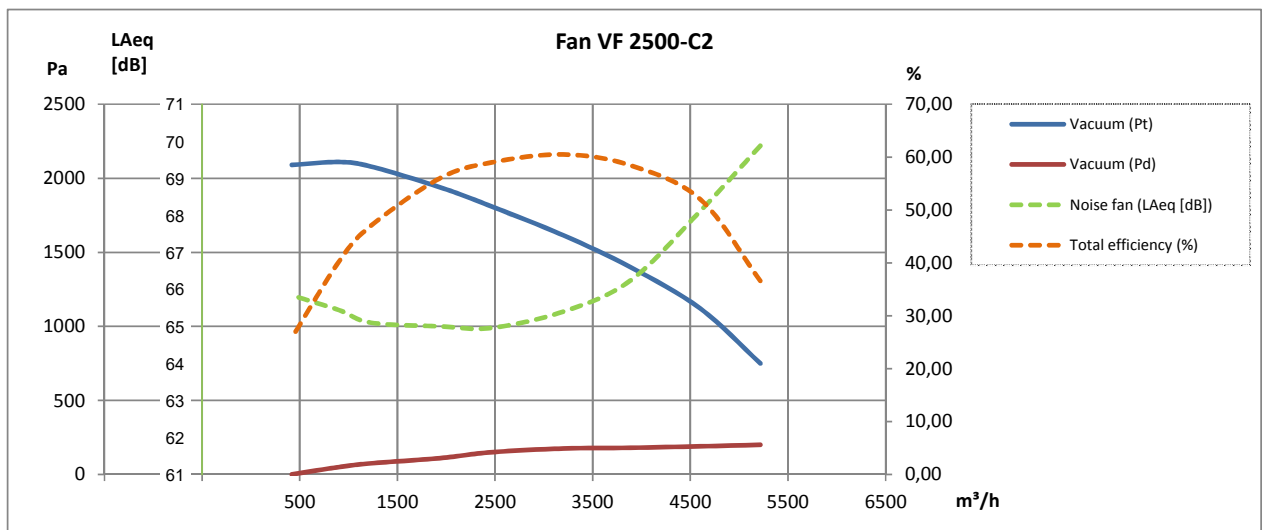
2-pole:



2-pole:



2-pole:



All versions of fan type VF-C is also available i a galvanized version spark protection in copper (Cu) on inlet!

Sound enclosure type VB*:

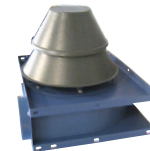
Type (Position RD0)	Order no.
VF 1500	03 245 000
VF 2000, VF 2500	03 246 000
Additional payment for sound enclosure type VB with side outlet, fan position RD0	03 550 000

* Only for clean air transport



Weather-protected cover for air cooling intake and out for elektro motors:

Type	Order no.
VF 1500	03 030 800
VF 2000, VF 2500	03 230 800



Fan wheels:

Type	Hub [mm]	Fan type**	[Hz]	Order no.
VF 1500	ø19	C2	50	03 225 005
VF 2000	ø24	C2	50	03 232 005
VF 2500	ø24	C2	50	03 230 005

**Closed Transport



Further is available:

- Pressure guard
- Mounting fittings
- Vibrations absorbers
- Safety grid
- FLEX flexible connections
- Explosion-protected construction for application in ATEX zones
- Motor starter Y-D
- Frequency converter

Photo:
Danfoss Frequency converter type VLT