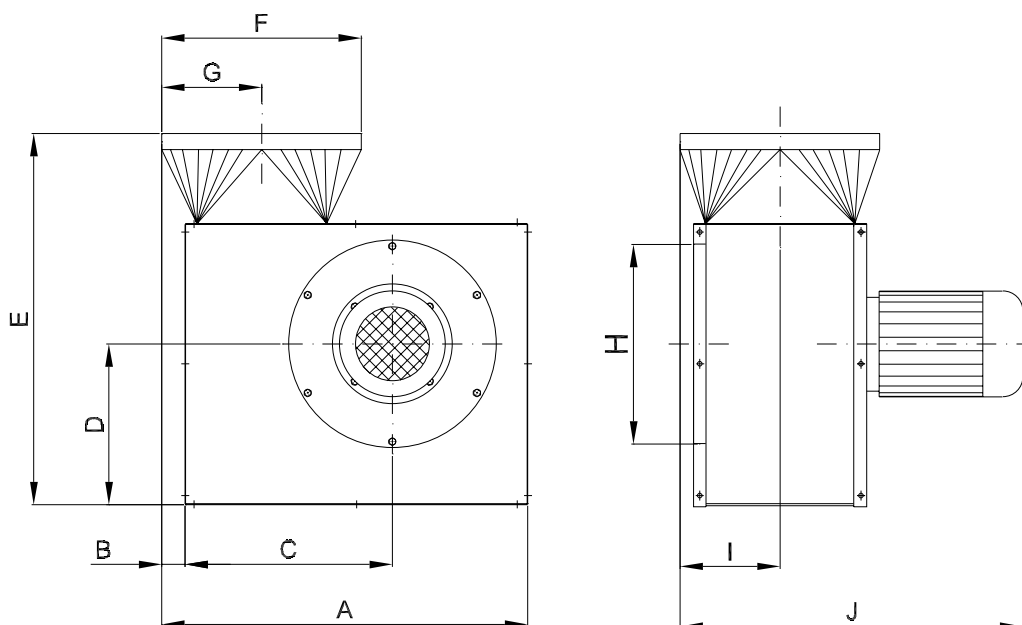




Type	Order no.	Volt [V]	[rpm.]	[kW]	Rated current (Amp)	Start current [ $I_L/I_N$ ]	Weight [kg]
VF 1500-C2	03 225 000	3x400	2-pole	1.10	■	■	38,0
VF 2000-C2	03 232 000	3x400	2-pole	1.50	■	■	40,0
VF 2500-C2	03 230 000	3x400	2-pole	2.20	■	■	50,0

■ See section "General information" conc. electro motors

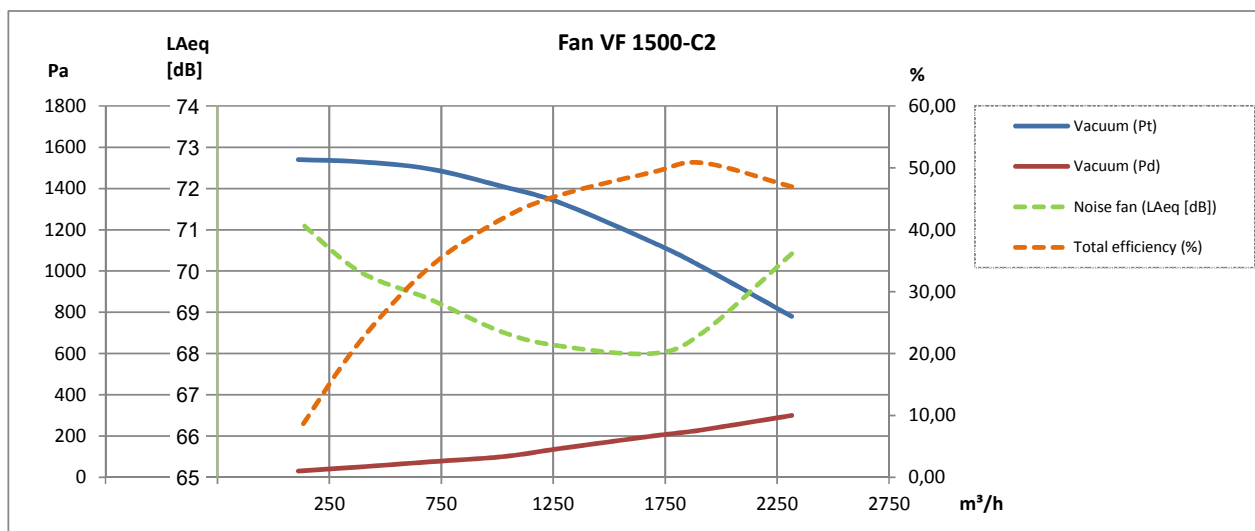
Motor data  $\geq 0,75kW$ , 3x400V, according to IE3-motors.



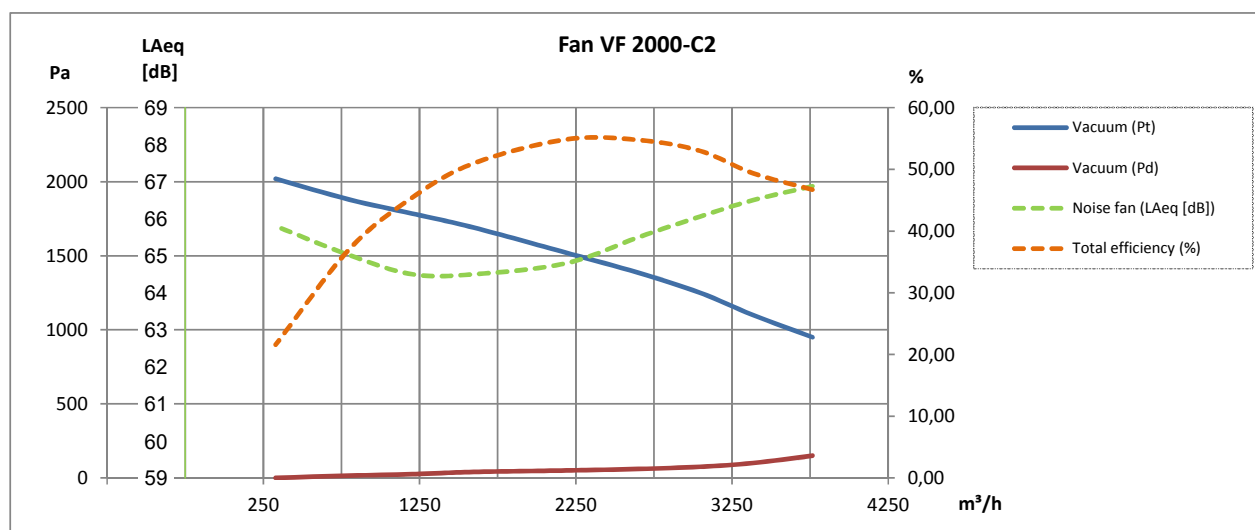
Type	Order no.	A	B	C	D	E	F	G	H	I	J
VF 1500-C2	03 225 000	614	0	374	288	626	ø250	143	ø250	132	475
VF 2000-C2	03 232 000	686	0	417	324	688	ø250	150	ø250	144	545
VF 2500-C2	03 230 000	686	0	417	324	688	ø250	150	ø250	144	545

Please, note: Connection measurements are nipple measurements

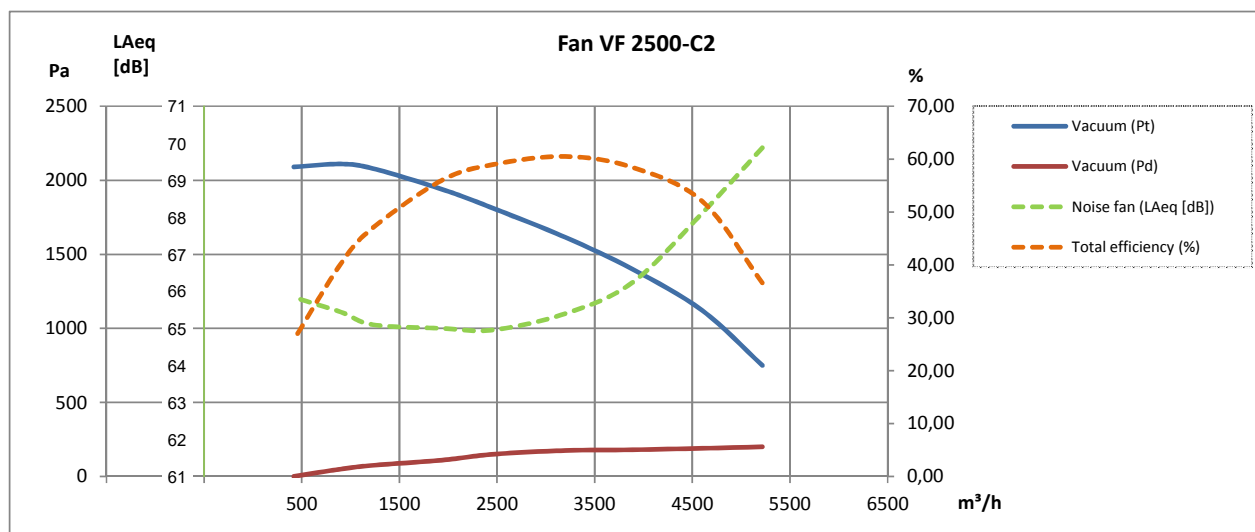
2-pole:



2-pole:



2-pole:



All versions of fan type VF-C is also available i a galvanized version spark protection in copper (Cu) on inlet!

#### Sound enclosure type VB\*:

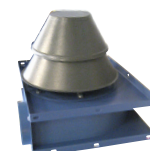
Type (Position RD0)	Order no.
VF 1500	03 245 000
VF 2000, VF 2500	03 246 000
Additional payment for sound enclosure type VB with side outlet, fan position RD0	03 550 000

\* Only for clean air transport



#### Weather-protected cover for air cooling intake and out for elektro motors:

Type	Order no.
VF 1500	03 030 800
VF 2000, VF 2500	03 230 800



#### Fan wheels:

Type	Hub [mm]	Fan type**	[Hz]	Order no.
VF 1500	ø19	C2	50	03 225 005
VF 2000	ø24	C2	50	03 232 005
VF 2500	ø24	C2	50	03 230 005

\*\*Closed Transport



#### Further is available:

- Pressure guard
- Mounting fittings
- Vibrations absorbers
- Safety grid
- FLEX flexible connections
- Explosion-protected construction for application in ATEX zones
- Motor starter Y-D
- Frequency converter

Photo:  
ABB Frequency converter  
type ACH 580