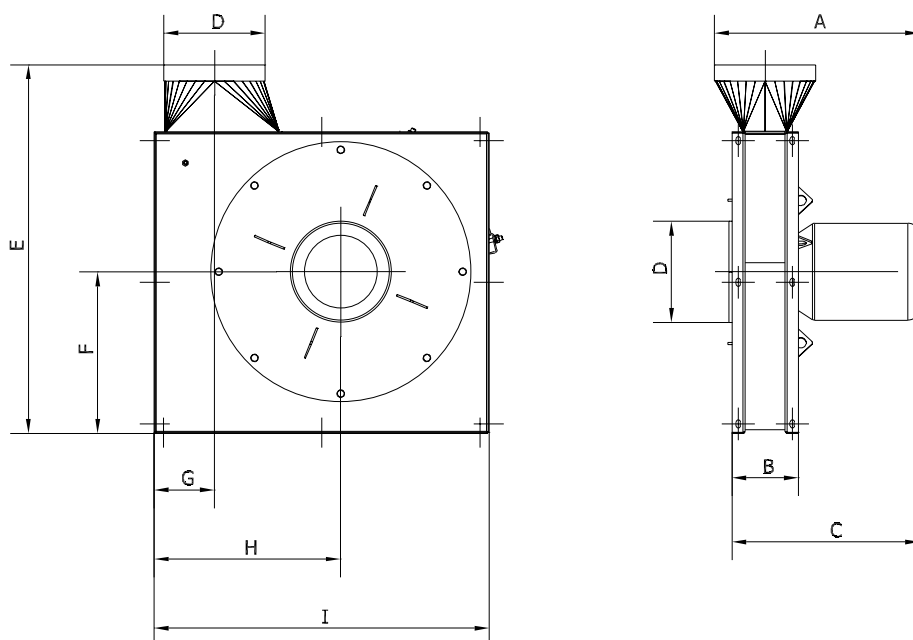




Type	Item no. ATEX zone 22
VP-A-C2 1600/2	10 350 100
VF-A-C2 2000/3	10 350 300
VF-A-C2 2500/1	10 350 500
VF-A-C2 3500/1	10 350 700

Type	Volt [V]	Pole	[kW]	Max. amp.	Start current	Weight [kg]
VP-A-C2 1600/2	3x400	2	4,0	7,70	65,50	66
VF-A-C2 2000/3	3x400	2	5,5	10,10	89,90	87
VF-A-C2 2500/1	3x400	2	5,5	10,10	88,90	98
VF-A-C2 3500/1	3x400	2	7,5	13,20	112,20	120

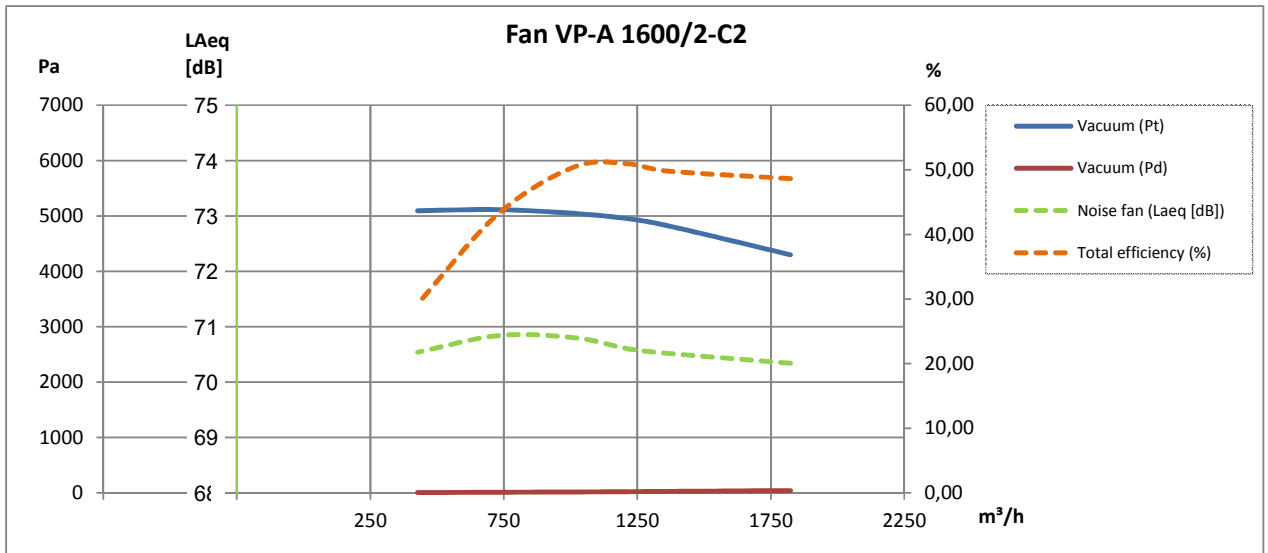


Type	A	B	C	D	E	F	G	H	I
VP-A-C2 1600/2	507	164	464	ø250	914	400	150	462	830
VF-A-C2 2000/3	515	178	478	ø250	902	400	173	462	830
VF-A-C2 2500/1	602	206	565	ø250	902	400	173	462	830
VF-A-C2 3500/1	640	206	603	ø250	902	400	173	462	830

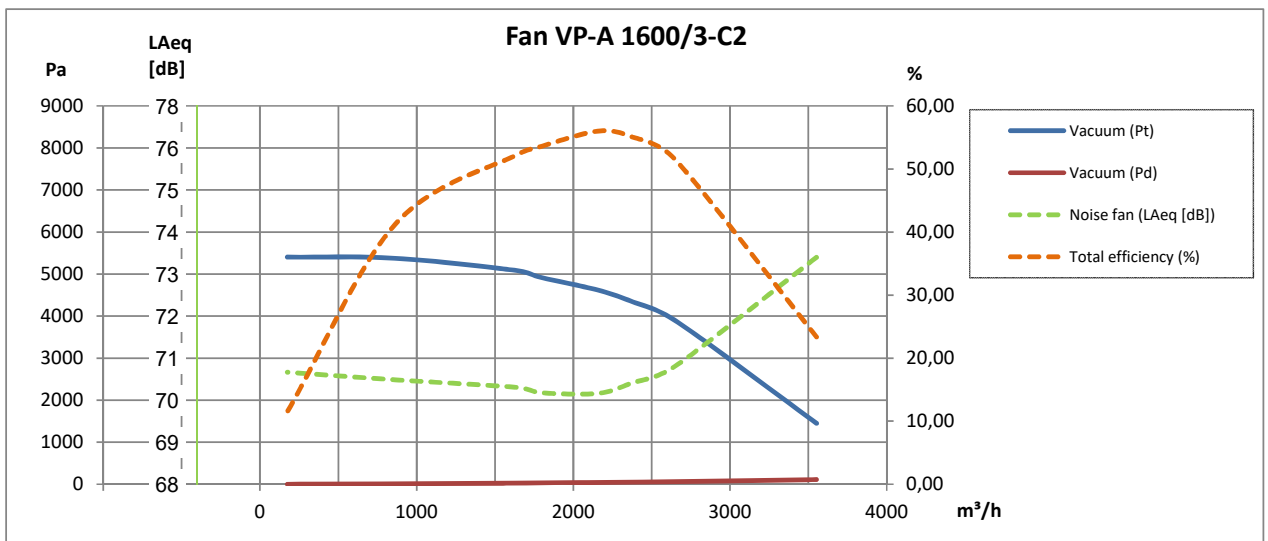
Please, note: Connection measurements are nipple measurements



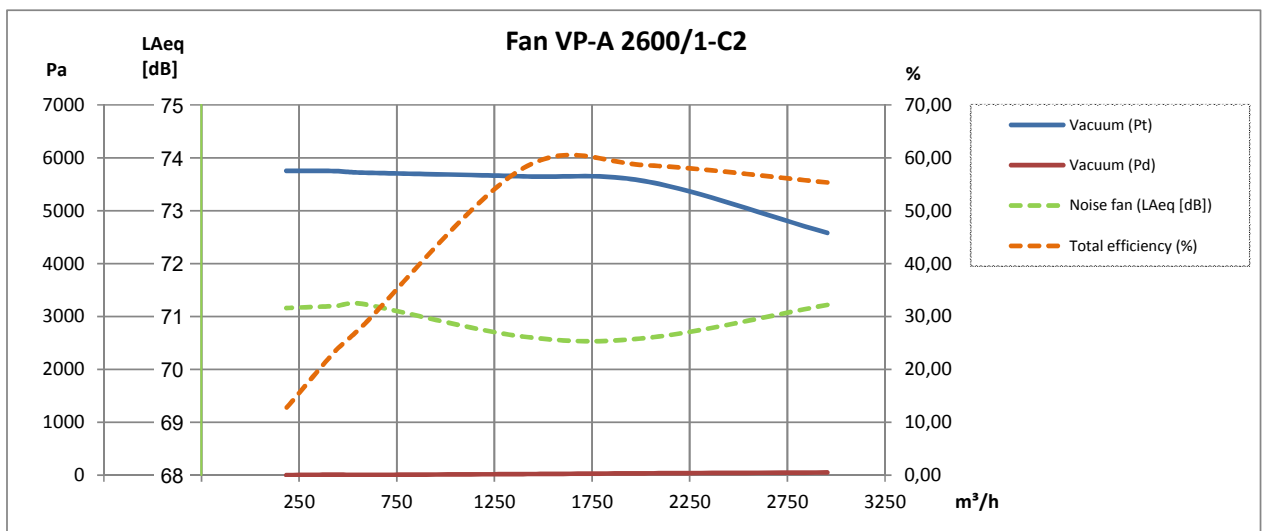
2-pole:



2-pole:

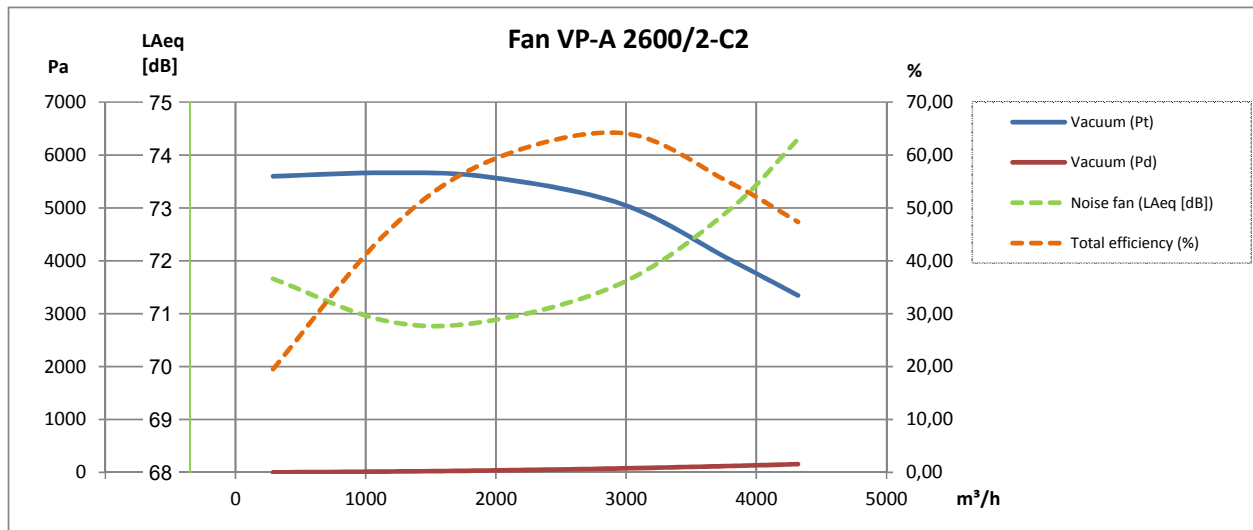


2-pole:





2-pole:



## Sound enclosure type VAB-A\*:

Type (Position RD0)	Item no.
VP-A 1600/2	10 350 150
VP-A 1600/3	10 350 350
VP-A 2600/1,	10 350 550
VP-A 2600/2	10 350 750

\* Only for clean air transport



## Fan wheels:

Type	Hub [mm]	Fan type**	[Hz]	Item no.
VP 1600/2	ø28	C2	50	03 345 005
VP 1600/3	ø38	C2	50	03 345 305
VP 2600/1 VP 2600/2	ø38	C2	50	03 349 005

\*\*Closed Transport



## Further is available:

- Pressure guard
- Mounting fittings
- Vibrations absorbers
- Safety grid
- FLEX flexible connections
- Explosion-protected construction for application in ATEX zones
- Motor starter Y-D
- Frequency converter

Photo:

ABB frequency converter type ACH 580

- Do not forget application of ATEX-approved thermister relay - see price list